



TRANSPORTATION CABINET

Frankfort, Kentucky 40622
www.transportation.ky.gov/

Steven L. Beshear
Governor

Michael W. Hancock, P.E.
Secretary

February 17, 2012

CALL NO. 410
CONTRACT ID NO. 122354
Addendum # 1

Subject: Todd County, 110GR12P043-FE01
Letting February 24, 2012

(1) Revised - Case IB Drawing - Page 30 of 73

Proposal revisions are available at
<http://transportation.ky.gov/Construction-Procurement>

If you have any questions, please contact us at (502) 564-3500.

Sincerely,

A handwritten signature in blue ink that reads "Ryan Griffith".

Ryan Griffith
Director
Division of Construction Procurement

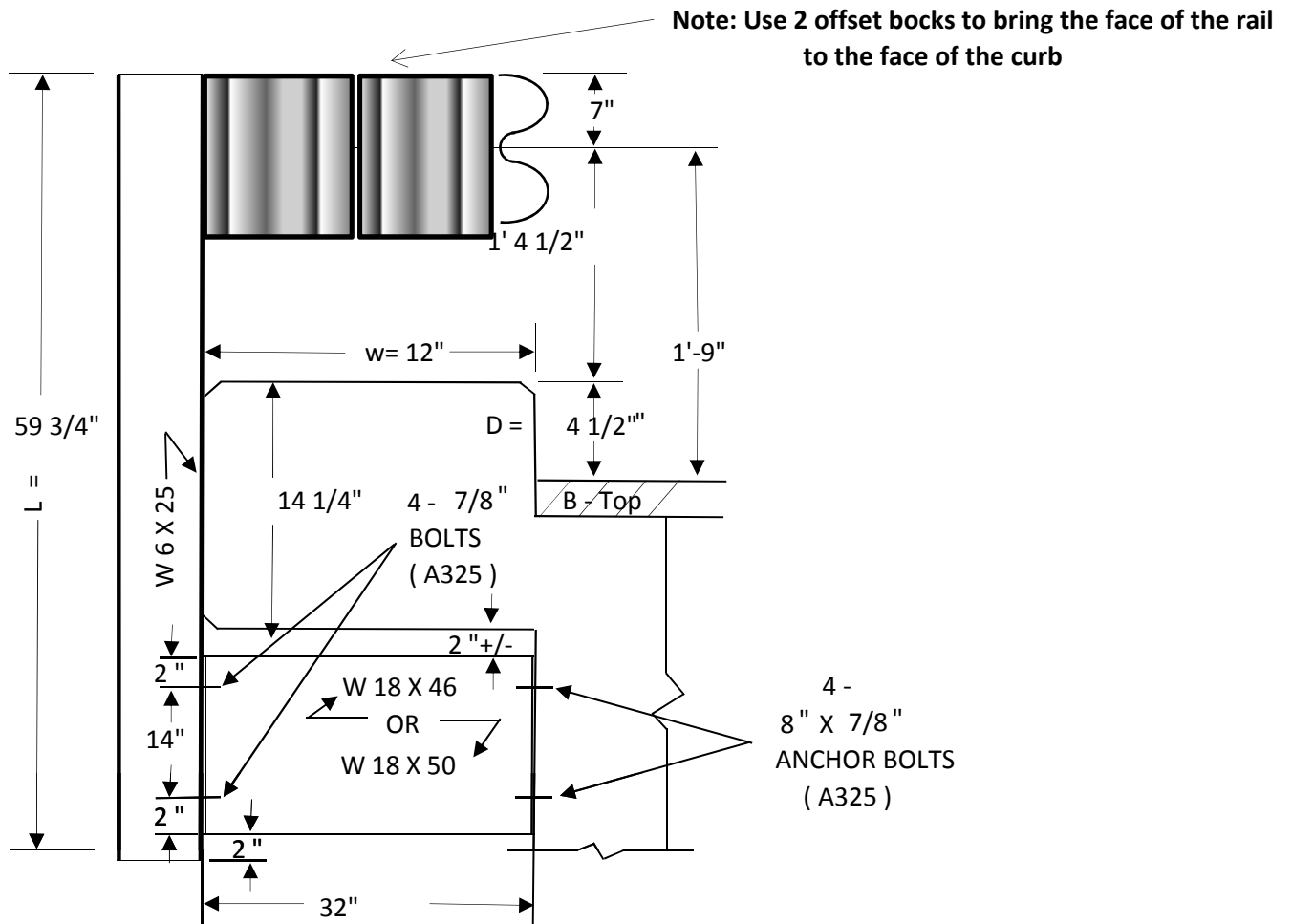
RG:jj

Enclosures



An Equal Opportunity Employer M/F/D

Bridge Guardrail, Case 1 B
US 68x Bridge @ mile point 3.266 Todd County



Bridge Mile Point	D =	W =	L =	No. Posts	LF of 2 Ply Rail
3.266	4.5"	12"	59 3/4"	26	150

L = Length of Guardrail Post

D = Curb Height

W = Width of Bridge Curb